

PRODUCT SPECIFICATIONS



ME2-CA

**Constant Analogic
Electromagnetic Pump With
Manually Adjustable Flowrate**



- Solenoid Constant Analogic pump
- Easy installation and minimal maintenance
- Frequency manual adjustment scale [0 to 100%]
- ON / OFF function
- State led
- Pump head with manual bleed for pressure priming
- PP CASE and HEAD reinforced 30% talk
- IP 54 protection
- Security and reliability
- Polycarbonate front panel
- Wall mounting with stirrup
- 2,5 mt power supply cable
- Accessories Kit:
Pyrex Ball version: Pyrex Ball injection valve, hastelloy spring
Lip Version : Viton Lip valve, Viton fettings

Optional:

- PVDF Pump Head

INSTALLATION KIT



Mounting Bracket+ Screws	Suction Tube 2mt PVC	Inj. Tube 2mt PE	PP Injection Valve Pyrex Ball-Viton OR	PP Foot Filter	1,5mt PVC bleed tube
-----------------------------	-------------------------	---------------------	---	-------------------	-------------------------

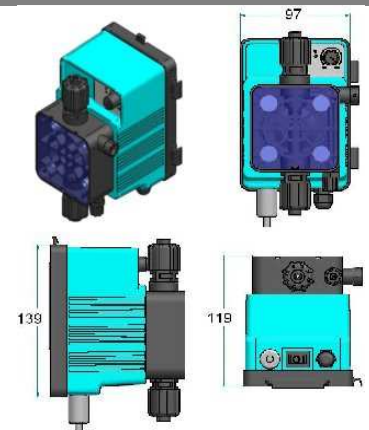
TECHNICAL INFORMATION

MODEL	Lt/h	ML/Pulse	Bar	Maximum Pulse/Min	Stroke	Watt	Tube
LIP VALVE Version							
ME2-CA 5-2	5	0,69	2	120	1,3	50	4x6 mm
ME2-CA 4-5	4	0,55	5	120	1,3	50	4x6 mm
ME2-CA 3-7	3	0,41	7	120	1,3	50	4x6 mm
BALL VALVE Version							
EME2-CA 1,5-12	1,5	0,21	12	120	1,1	50	4x6 mm
ME2-CA 3-9	3	0,41	9	120	1,3	50	4x6 mm
ME2-CA 5-5	5	0,69	5	120	1,3	50	4x6 mm
ME2-CA 7-2	7	0,97	2	120	1,3	50	4x6 mm

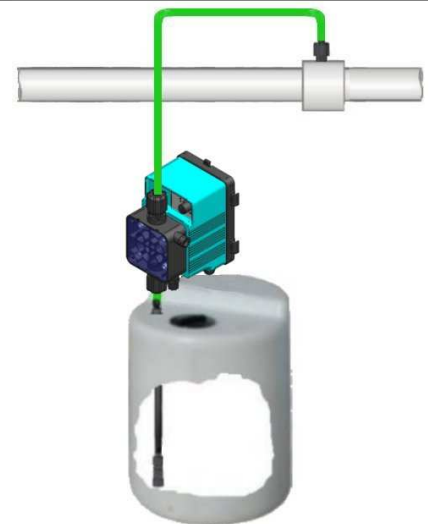
APPLICATIONS

- Chemical industries
- Laboratories and analysis
- Water Treatment
- Detergency
- Disinfection
- Swimming pools

PUMP VIEW (mm)



INSTALLATION EXAMPLE



LIQUID ENDS

Component	Standard	Optional
Pump head	PP	PVC / PVDF
Diaphragm	PTFE	
Valve Balls	Pyrex	AISI316 / Ceramic
Injection fittings	PP	
O rings	Viton	Dutral
LIP Valve	Viton	
Ball Valve	Hastelloy / Pyrex	AISI 316

PACKAGE (cm / Kg)

Dimensions (cm)	Weight (Kg)
Pump: 15,5 x 18 x 22	3,00
Multipack (9 Psz): 50 x 25 x 57	27

NOTES

- MADE IN ITALY
- 100% Tested before delivery
- Produced conform to CE laws