

PRODUCT SPECIFICATIONS


MIXER Series

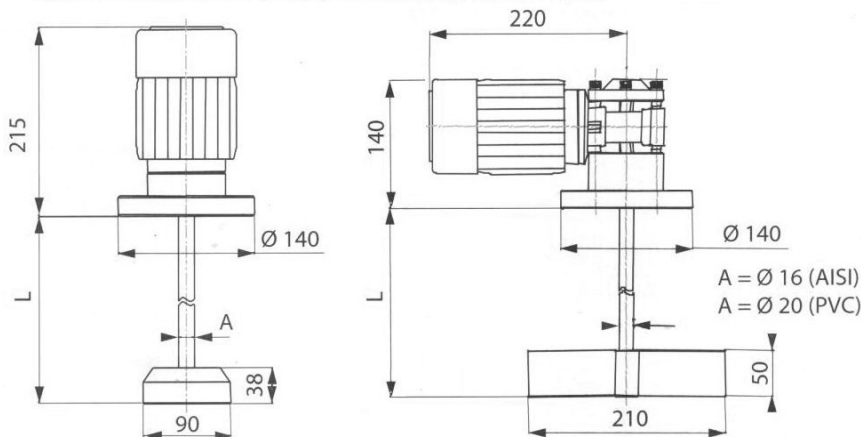
S-MIX : Single phase

T-MIX : Three phase

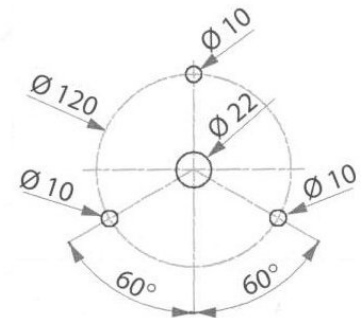
M-MIX : Manual


DRAWINGS

QUOTE IN MILLIMETRI (mm) / MILLIMETERS QUOTES (mm)



DIMA DI FORATURA / HOLE MASK


TECHNICAL INFORMATION

MOD	CM	RPM* (*Only Electric Models)
ASTA IN PVC PVC SHAFT	60	70
	60	1400
	70	70
	70	1400
	80	70
	90	70
ASTA IN AISI AISI SHAFT	60	70
	60	1400
	70	70
	70	1400
	80	70
	90	70

Other special (non standard) requests will be examined case by case.

APPLICATIONS

- Water Treatment
- Cooling Towers

NOTES

- MADE IN ITALY
- 100% Tested before delivery
- Produced conform to CE laws